
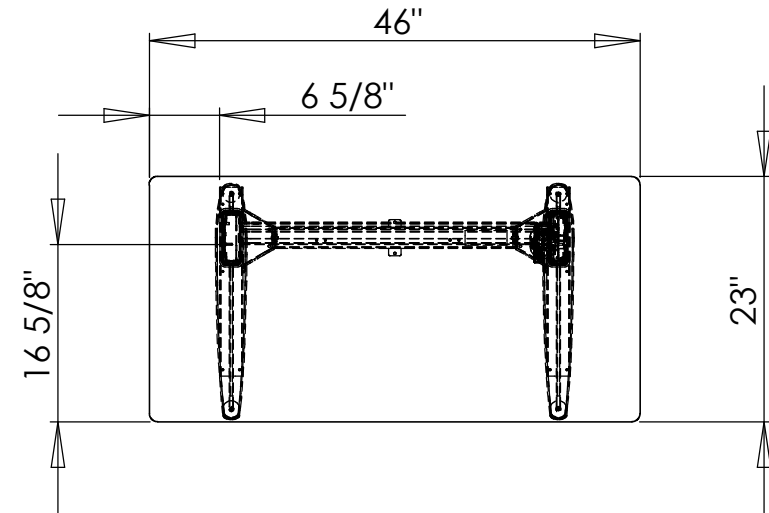
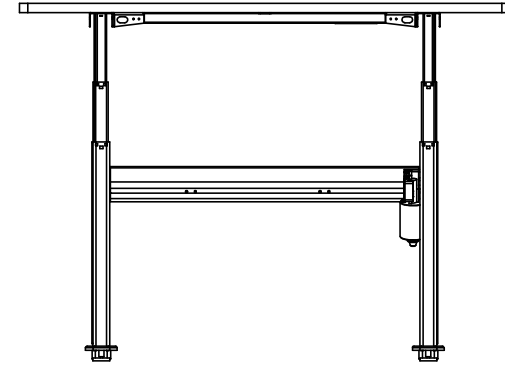
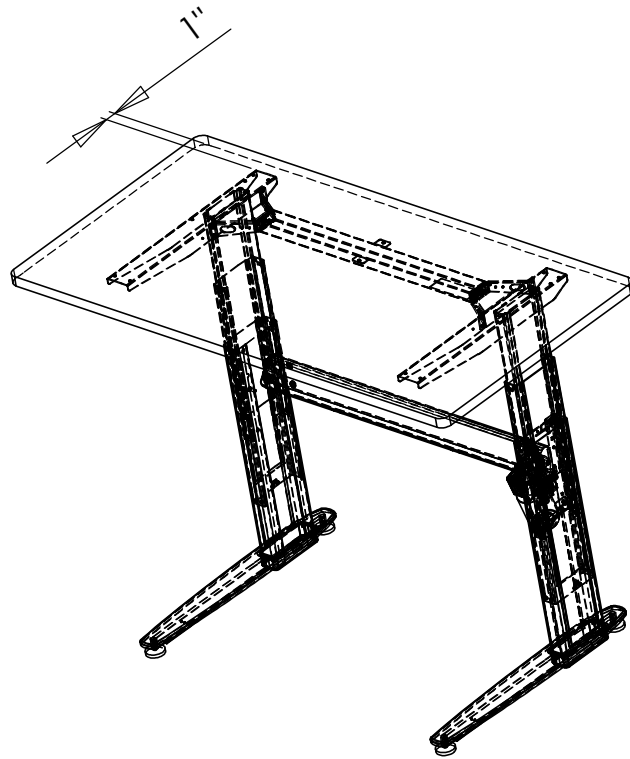
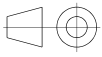
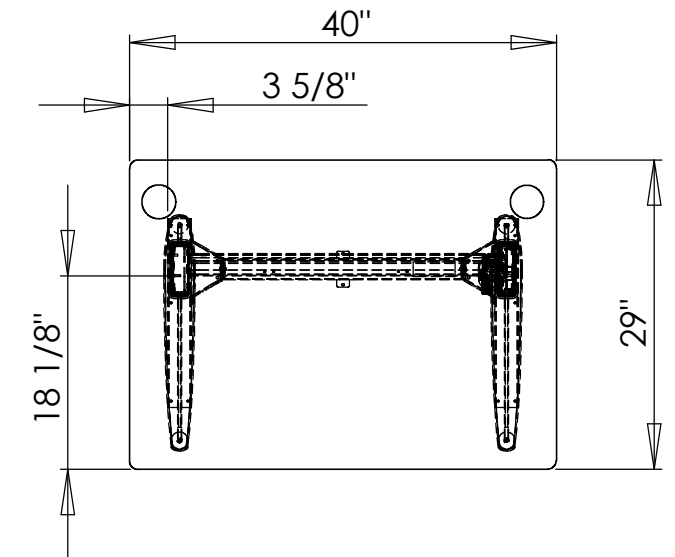
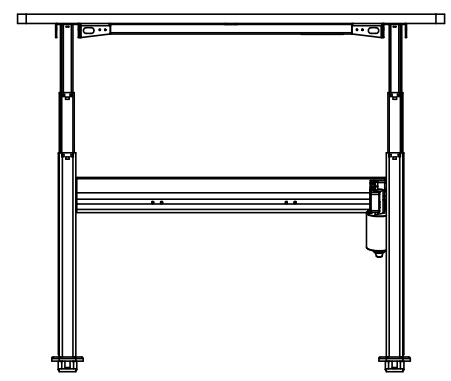
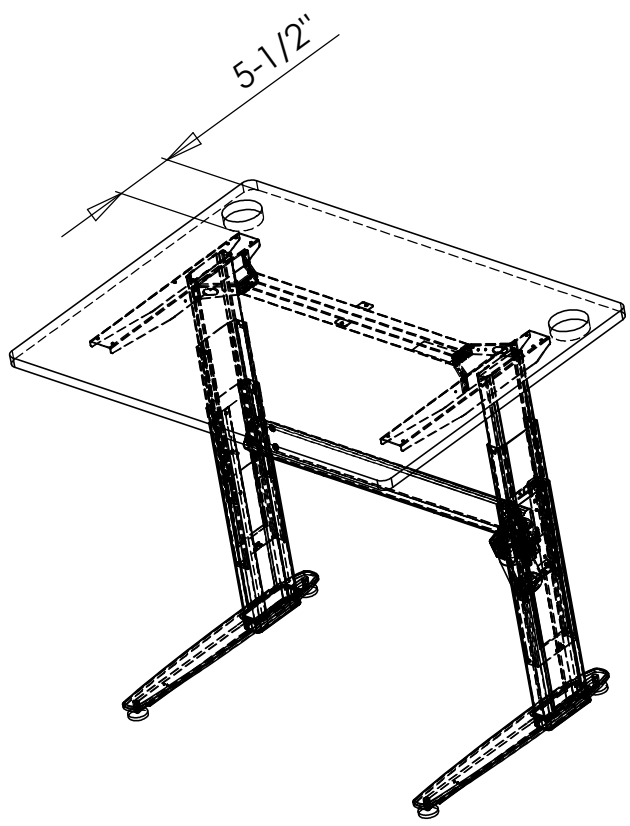
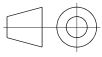


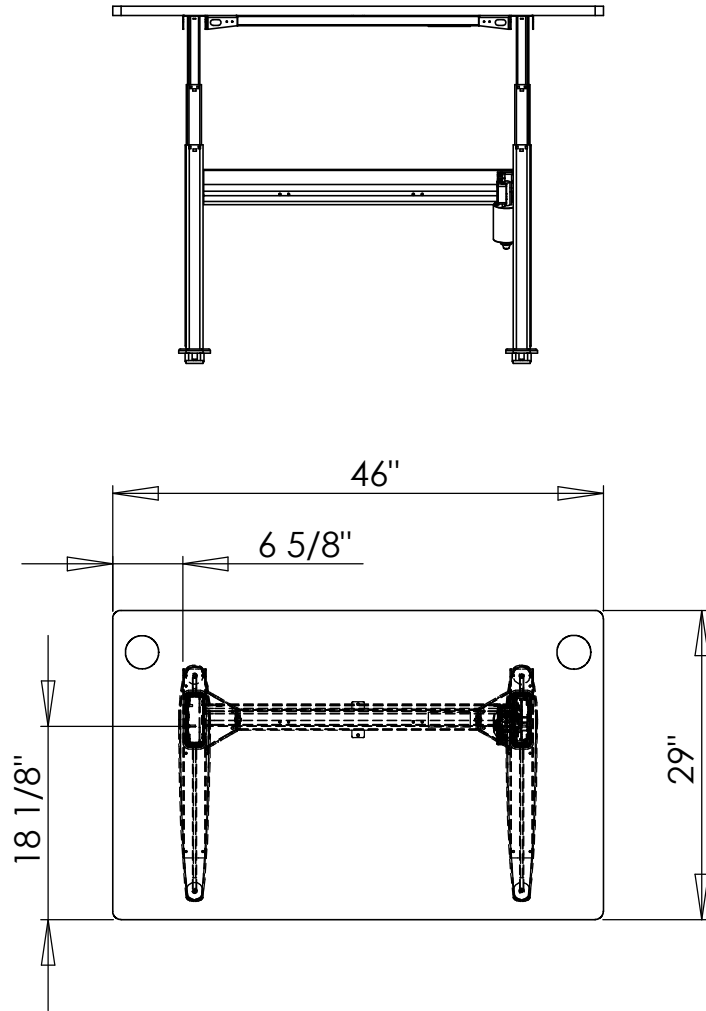
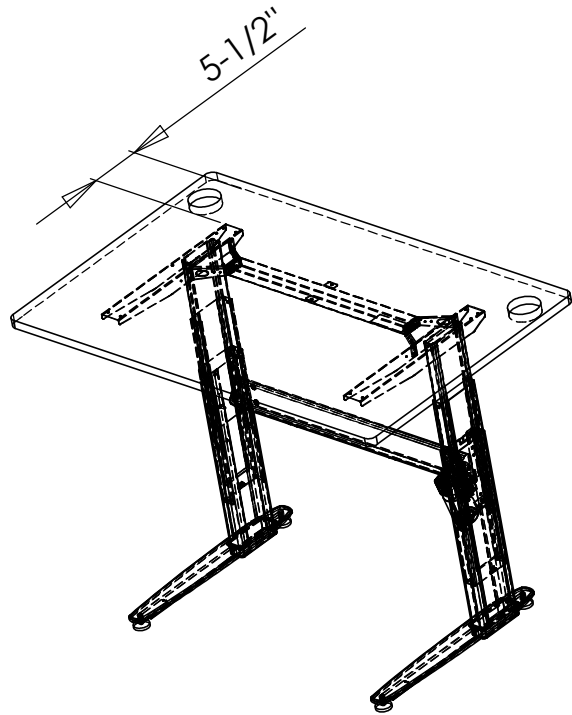
<p>DO NOT SCALE DRAWING SHEET 1 OF 15</p>	<p>WEIGHT:</p>		<p> <b>ConSet A/S</b> Staalvej 14-16 DK-6900 Skjern Denmark <a href="http://www.conset.com">www.conset.com</a></p>
<p>UNLESS OTHERWISE SPECIFIED: DIMENSIONS ARE IN MILLIMETERS TOLERANCES: LINEAR: According to ANGULAR: DIN 7168-m</p>	<p>NAME DRAWN jo CHECKED</p>	<p>DATE 05-08-2014</p>	<p>TITLE: Top mounting, 501-27 084_42-24S</p>
<p><b>PROPRIETARY AND CONFIDENTIAL</b> THE INFORMATION CONTAINED IN THIS DRAWING IS THE SOLE PROPERTY OF CONSET A/S. ANY REPRODUCTION IN PART OR AS A WHOLE WITHOUT THE WRITTEN PERMISSION OF CONSET A/S IS PROHIBITED.</p>	<p>Processes: Remarks:</p>		<p>DWG NO. <b>121700</b> REVISION <b>1</b></p>

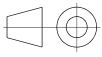


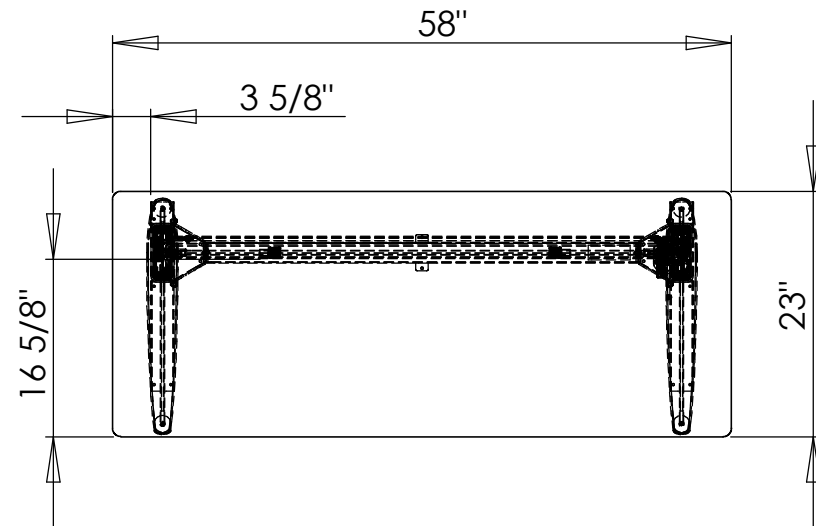
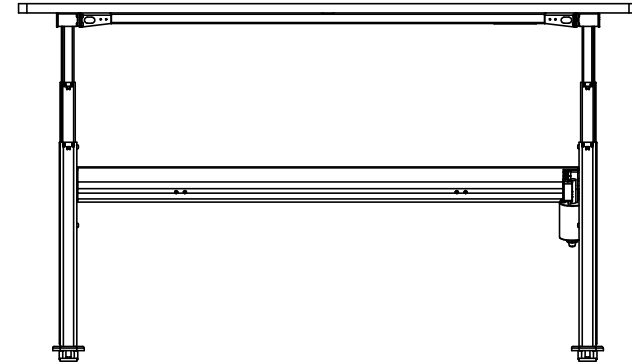
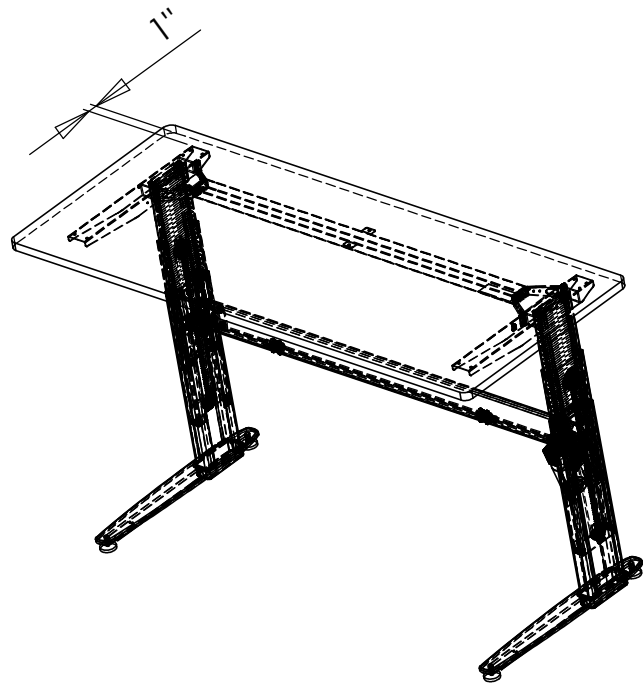
DO NOT SCALE DRAWING	SHEET 2 OF 15			<b>ConSet A/S</b> Staalvej 14-16 DK-6900 Skjern Denmark
UNLESS OTHERWISE SPECIFIED: DIMENSIONS ARE IN MILLIMETERS TOLERANCES: LINEAR: According to ANGULAR: DIN 7168-m		NAME	DATE	TITLE:
	DRAWN	jo	05-08-2014	Top mounting, 501-27 084_48-24S
<b>PROPRIETARY AND CONFIDENTIAL</b> THE INFORMATION CONTAINED IN THIS DRAWING IS THE SOLE PROPERTY OF CONSET A/S. ANY REPRODUCTION IN PART OR AS A WHOLE WITHOUT THE WRITTEN PERMISSION OF CONSET A/S IS PROHIBITED.	CHECKED		Processes:	
			WEIGHT:	121700
				REVISION <b>1</b>



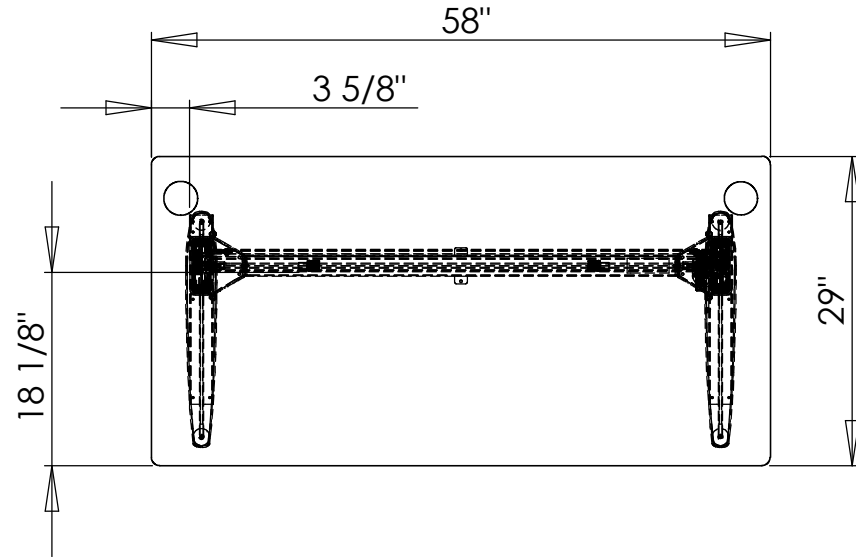
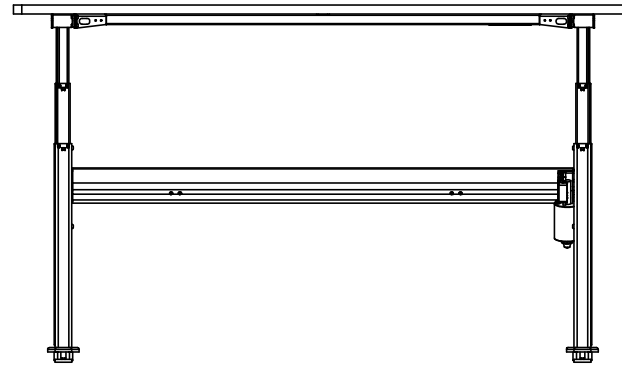
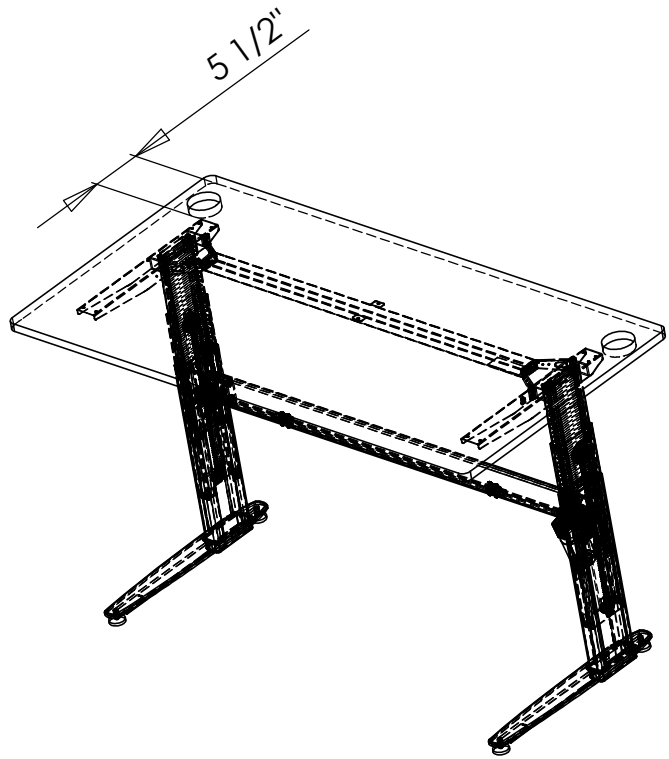
DO NOT SCALE DRAWING	SHEET 3 OF 15			<b>ConSet A/S</b> Staalvej 14-16 DK-6900 Skjern Denmark
UNLESS OTHERWISE SPECIFIED: DIMENSIONS ARE IN MILLIMETERS TOLERANCES: LINEAR: According to ANGULAR: DIN 7168-m	DRAWN	NAME jo	DATE 05-08-2014	TITLE:  Top mounting, 501-27 084_42-30S
	CHECKED			
<b>PROPRIETARY AND CONFIDENTIAL</b> THE INFORMATION CONTAINED IN THIS DRAWING IS THE SOLE PROPERTY OF CONSET A/S. ANY REPRODUCTION IN PART OR AS A WHOLE WITHOUT THE WRITTEN PERMISSION OF CONSET A/S IS PROHIBITED.	Processes:			DWG NO.  121700
	WEIGHT:			REVISION  1




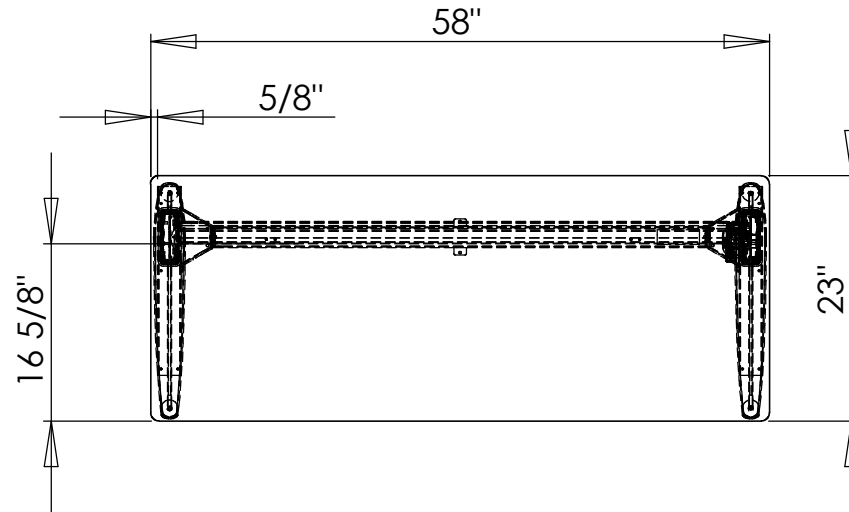
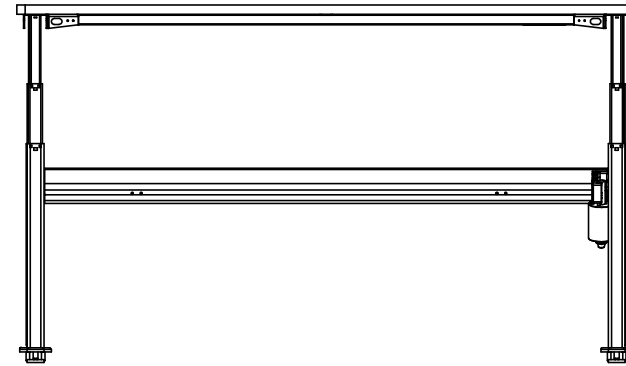
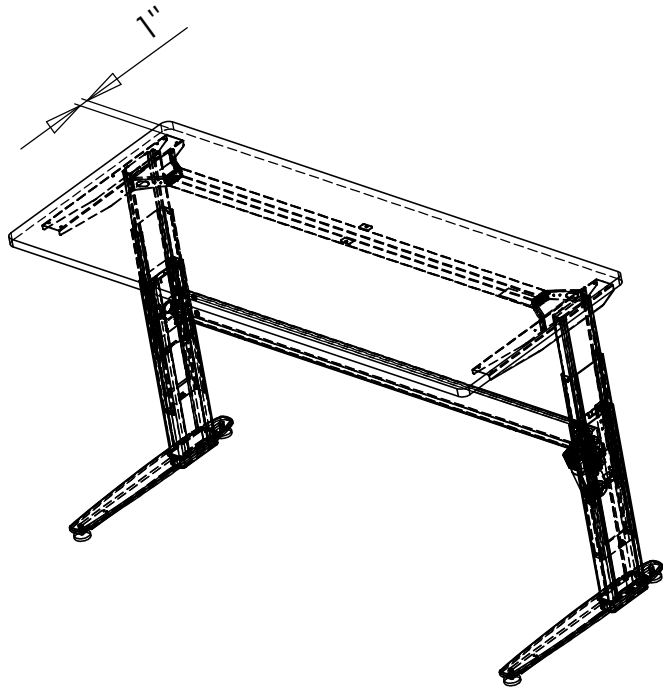
DO NOT SCALE DRAWING	SHEET 4 OF 15			<b>ConSet A/S</b> Staalvej 14-16 DK-6900 Skjern Denmark
UNLESS OTHERWISE SPECIFIED: DIMENSIONS ARE IN MILLIMETERS TOLERANCES: LINEAR: According to ANGULAR: DIN 7168-m	DRAWN	NAME jo	DATE 05-08-2014	TITLE:  Top mounting, 501-27 084_48-30S
	CHECKED			DWG NO. <b>121700</b>
<b>PROPRIETARY AND CONFIDENTIAL</b> THE INFORMATION CONTAINED IN THIS DRAWING IS THE SOLE PROPERTY OF CONSET A/S. ANY REPRODUCTION IN PART OR AS A WHOLE WITHOUT THE WRITTEN PERMISSION OF CONSET A/S IS PROHIBITED.	Processes:		WEIGHT:	REVISION <b>1</b>




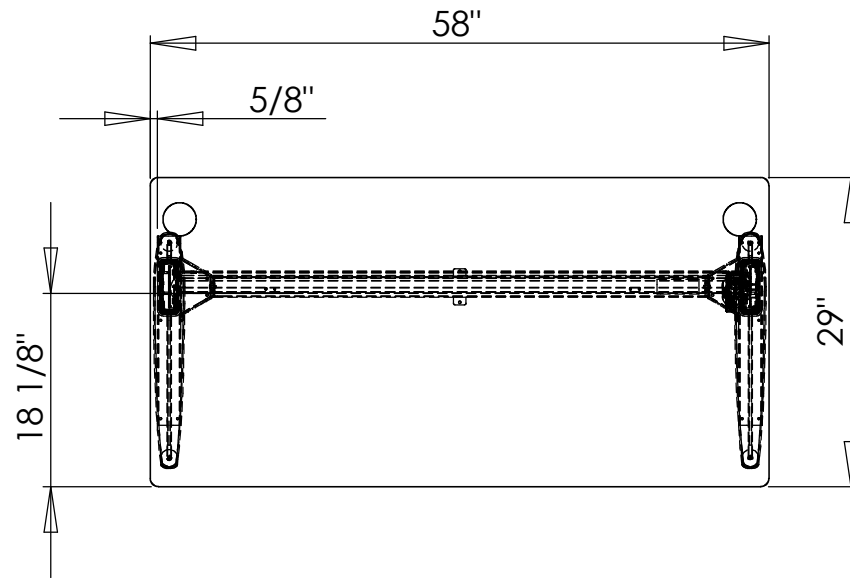
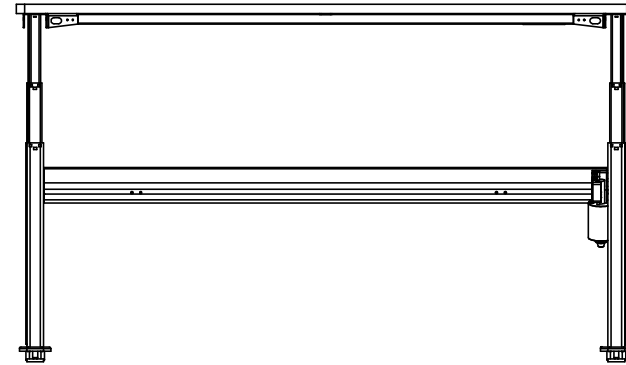
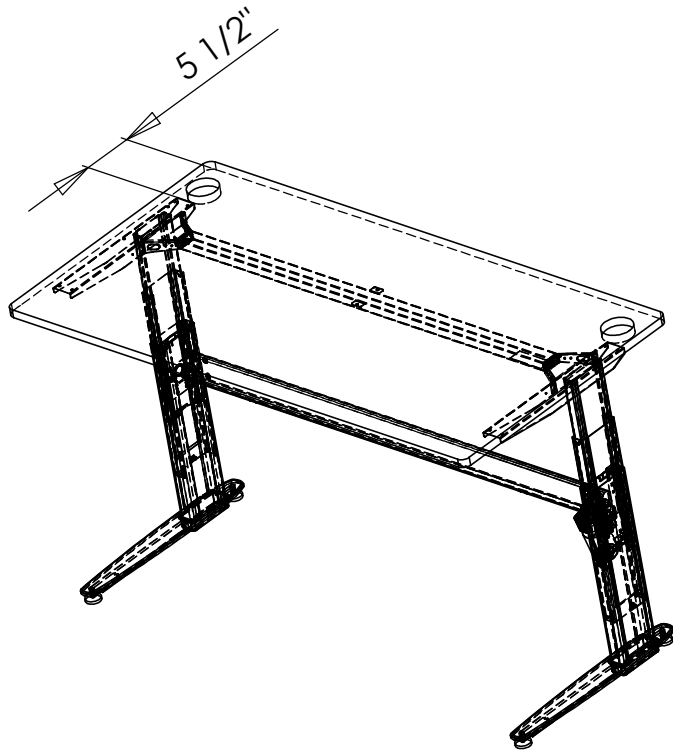
DO NOT SCALE DRAWING	SHEET 5 OF 15			<b>ConSet A/S</b> Staalvej 14-16 DK-6900 Skjern Denmark
UNLESS OTHERWISE SPECIFIED: DIMENSIONS ARE IN MILLIMETERS TOLERANCES: LINEAR: According to ANGULAR: DIN 7168-m	DRAWN	NAME jo	DATE 05-08-2014	TITLE:  Top mounting, 501-27 129_60-24S
	CHECKED			
<b>PROPRIETARY AND CONFIDENTIAL</b> THE INFORMATION CONTAINED IN THIS DRAWING IS THE SOLE PROPERTY OF CONSET A/S. ANY REPRODUCTION IN PART OR AS A WHOLE WITHOUT THE WRITTEN PERMISSION OF CONSET A/S IS PROHIBITED.	Processes:			DWG NO.  121700
	WEIGHT:			REVISION  1




DO NOT SCALE DRAWING	SHEET 6 OF 15			<b>ConSet A/S</b> Staalvej 14-16 DK-6900 Skjern Denmark
UNLESS OTHERWISE SPECIFIED: DIMENSIONS ARE IN MILLIMETERS TOLERANCES: LINEAR: According to ANGULAR: DIN 7168-m	DRAWN	NAME jo	DATE 05-08-2014	TITLE: Top mounting, 501-27 129_60-30S
	CHECKED			
<b>PROPRIETARY AND CONFIDENTIAL</b> THE INFORMATION CONTAINED IN THIS DRAWING IS THE SOLE PROPERTY OF CONSET A/S. ANY REPRODUCTION IN PART OR AS A WHOLE WITHOUT THE WRITTEN PERMISSION OF CONSET A/S IS PROHIBITED.	Processes:			DWG NO. 121700
	WEIGHT:			REVISION 1

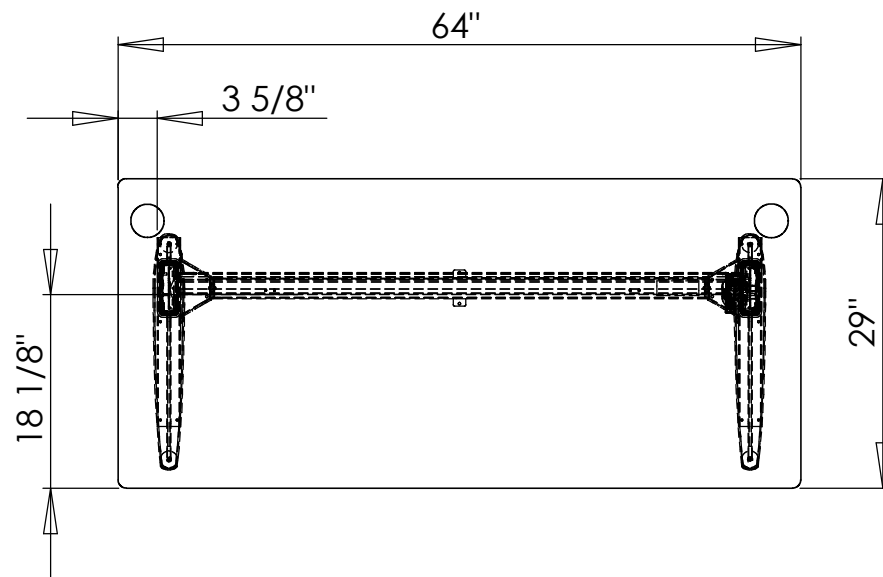
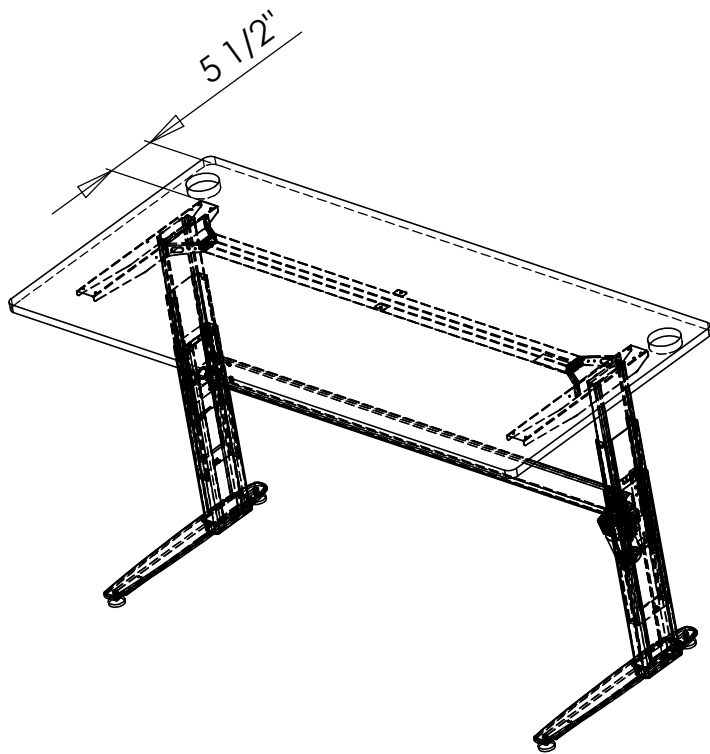


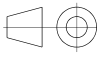
DO NOT SCALE DRAWING	SHEET 7 OF 15			<b>ConSet A/S</b> Staalvej 14-16 DK-6900 Skjern Denmark
UNLESS OTHERWISE SPECIFIED: DIMENSIONS ARE IN MILLIMETERS TOLERANCES: LINEAR: According to ANGULAR: DIN 7168-m	DRAWN	NAME jo	DATE 05-08-2014	TITLE:  Top mounting, 501-27 144_60-24S
	CHECKED			DWG NO. <b>121700</b>
<b>PROPRIETARY AND CONFIDENTIAL</b> THE INFORMATION CONTAINED IN THIS DRAWING IS THE SOLE PROPERTY OF CONSET A/S. ANY REPRODUCTION IN PART OR AS A WHOLE WITHOUT THE WRITTEN PERMISSION OF CONSET A/S IS PROHIBITED.	Processes:		WEIGHT:	REVISION <b>1</b>

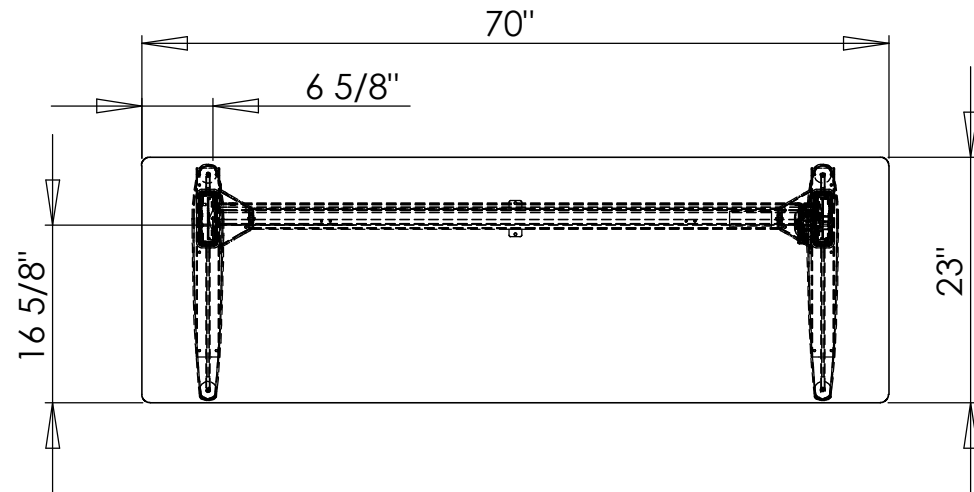
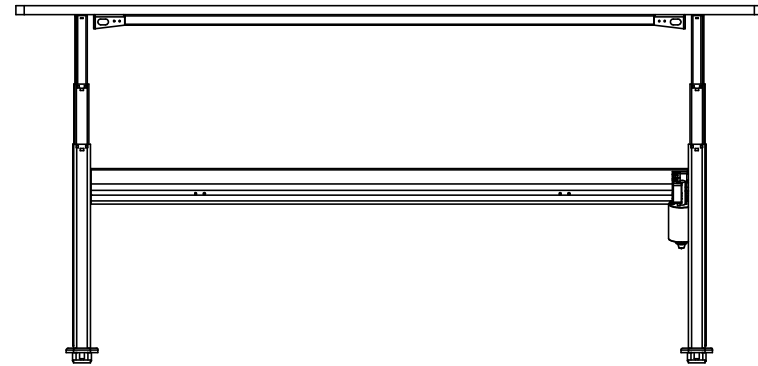
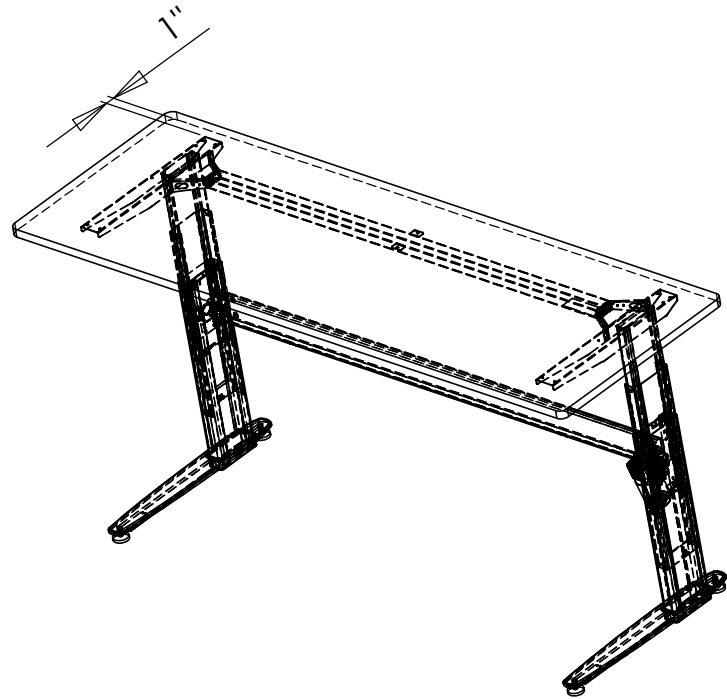



DO NOT SCALE DRAWING	SHEET 8 OF 15			<b>ConSet A/S</b> Staalvej 14-16 DK-6900 Skjern Denmark
UNLESS OTHERWISE SPECIFIED: DIMENSIONS ARE IN MILLIMETERS TOLERANCES: LINEAR: According to ANGULAR: DIN 7168-m	DRAWN	NAME jo	DATE 05-08-2014	TITLE: Top mounting, 501-27 144_60-30S
	CHECKED	Processes:		DWG NO. 121700
<b>PROPRIETARY AND CONFIDENTIAL</b> THE INFORMATION CONTAINED IN THIS DRAWING IS THE SOLE PROPERTY OF CONSET A/S. ANY REPRODUCTION IN PART OR AS A WHOLE WITHOUT THE WRITTEN PERMISSION OF CONSET A/S IS PROHIBITED.	WEIGHT:			REVISION 1

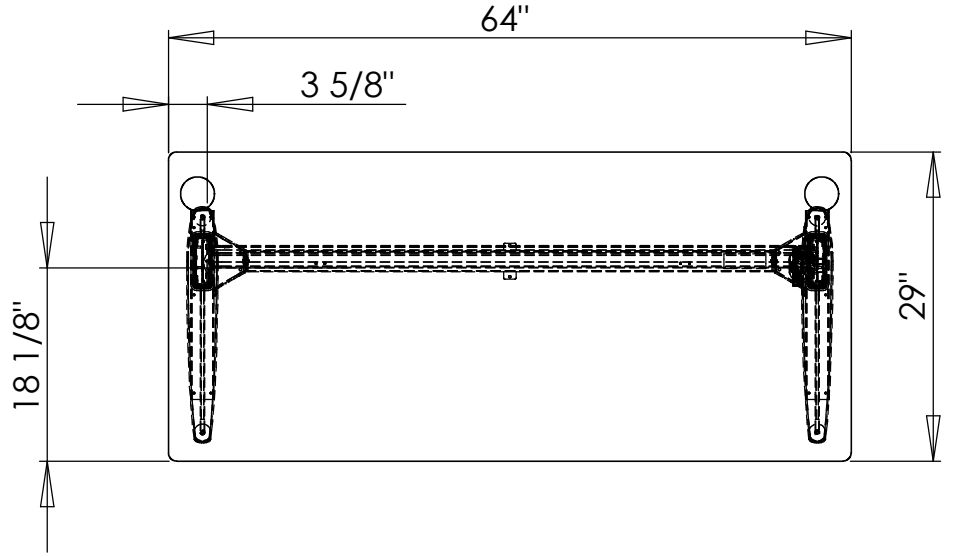
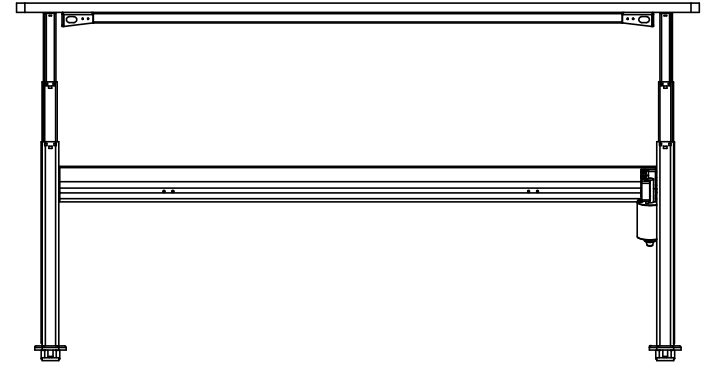
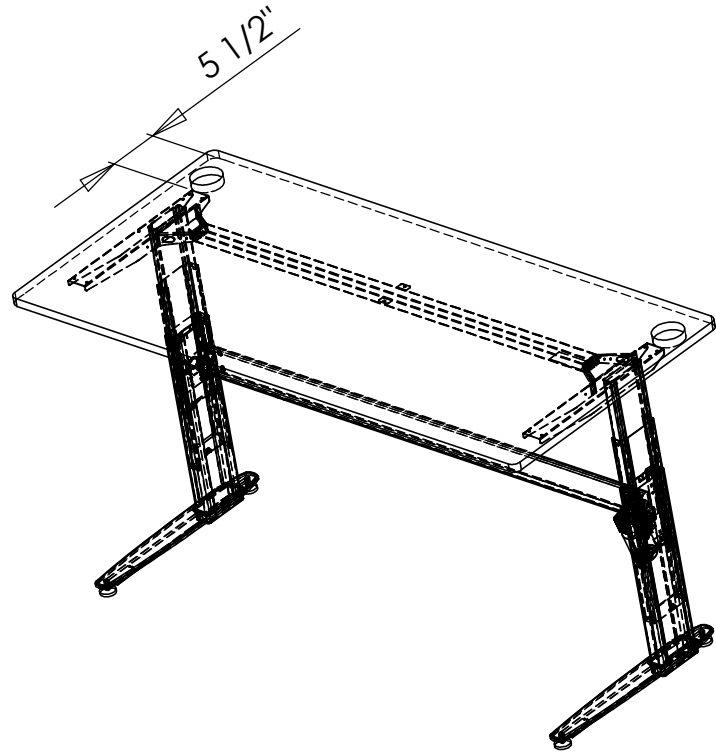


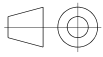


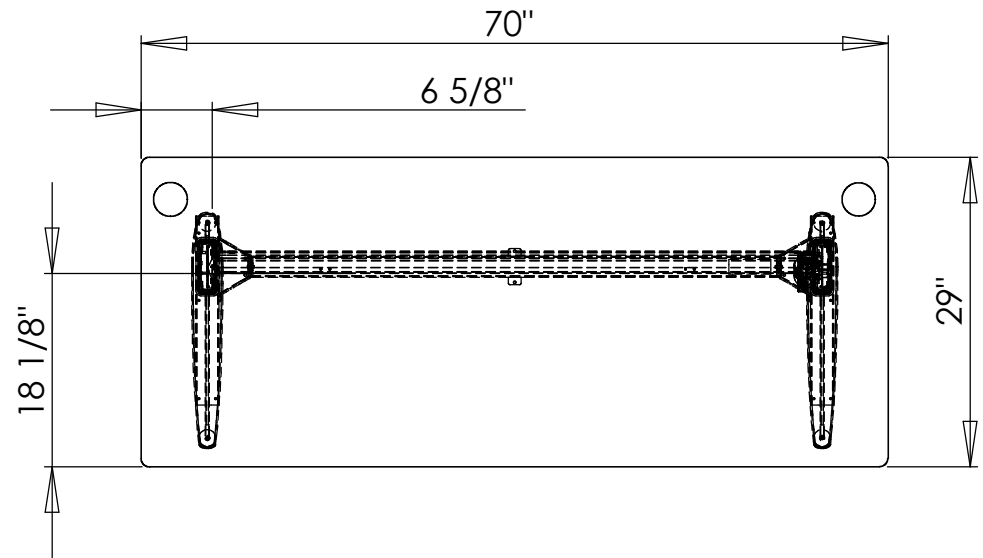
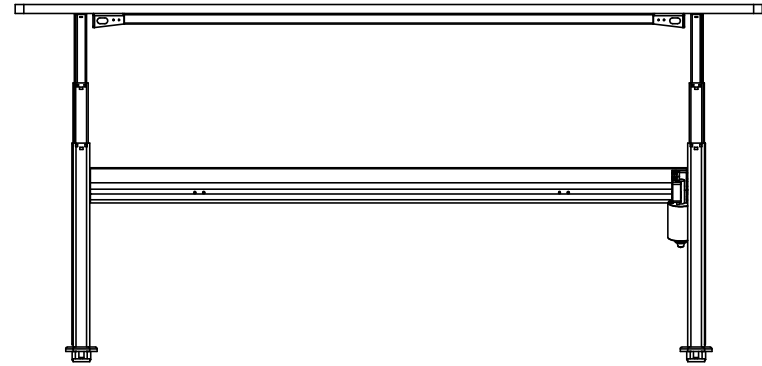
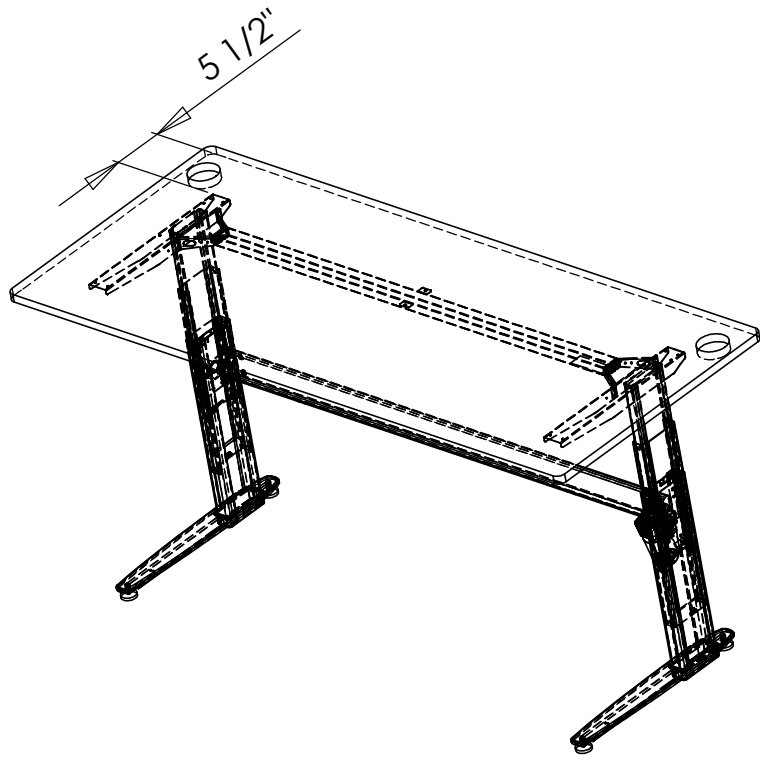
DO NOT SCALE DRAWING	SHEET 9 OF 15			<b>ConSet A/S</b> Staalvej 14-16 DK-6900 Skjern Denmark
UNLESS OTHERWISE SPECIFIED: DIMENSIONS ARE IN MILLIMETERS TOLERANCES: LINEAR: According to ANGULAR: DIN 7168-m	DRAWN	NAME jo	DATE 05-08-2014	TITLE:  Top mounting, 501-27 144_66-30S
	CHECKED			DWG NO. <b>121700</b>
<b>PROPRIETARY AND CONFIDENTIAL</b> THE INFORMATION CONTAINED IN THIS DRAWING IS THE SOLE PROPERTY OF CONSET A/S. ANY REPRODUCTION IN PART OR AS A WHOLE WITHOUT THE WRITTEN PERMISSION OF CONSET A/S IS PROHIBITED.	Processes:		WEIGHT:	REVISION <b>1</b>




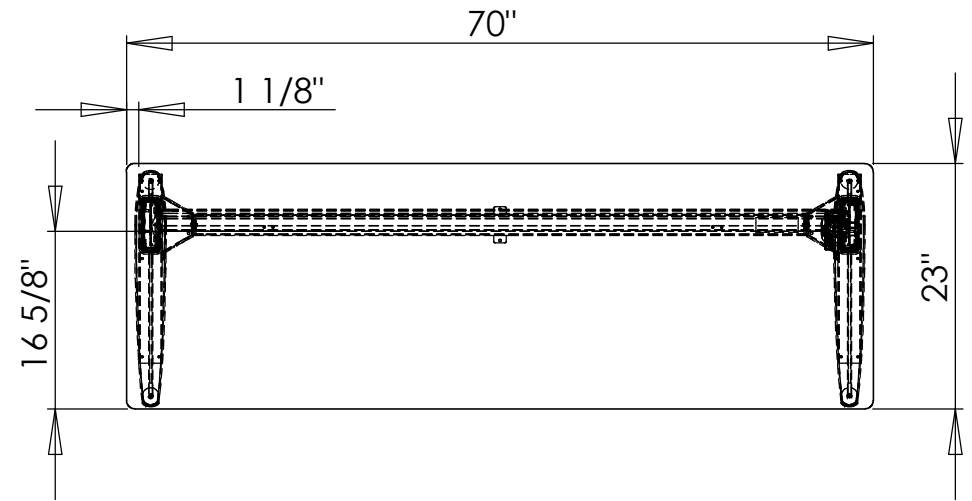
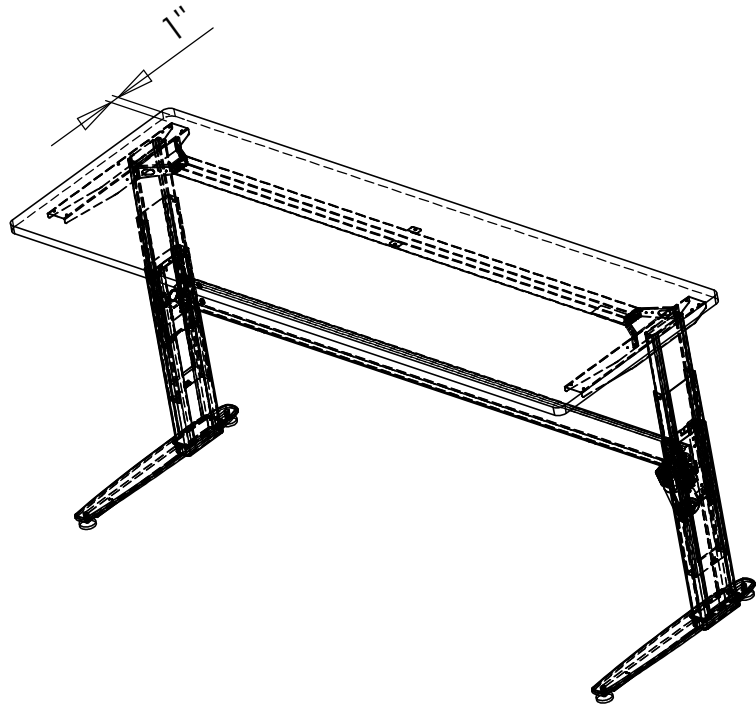
DO NOT SCALE DRAWING	SHEET 10 OF 15			<b>ConSet A/S</b> Staalvej 14-16 DK-6900 Skjern Denmark
UNLESS OTHERWISE SPECIFIED: DIMENSIONS ARE IN MILLIMETERS TOLERANCES: LINEAR: According to ANGULAR: DIN 7168-m	DRAWN	NAME jo	DATE 05-08-2014	TITLE:  Top mounting, 501-27 152_72-24S
	CHECKED			
<b>PROPRIETARY AND CONFIDENTIAL</b> THE INFORMATION CONTAINED IN THIS DRAWING IS THE SOLE PROPERTY OF CONSET A/S. ANY REPRODUCTION IN PART OR AS A WHOLE WITHOUT THE WRITTEN PERMISSION OF CONSET A/S IS PROHIBITED.	Processes:			DWG NO.  121700
	WEIGHT:			REVISION  1

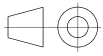


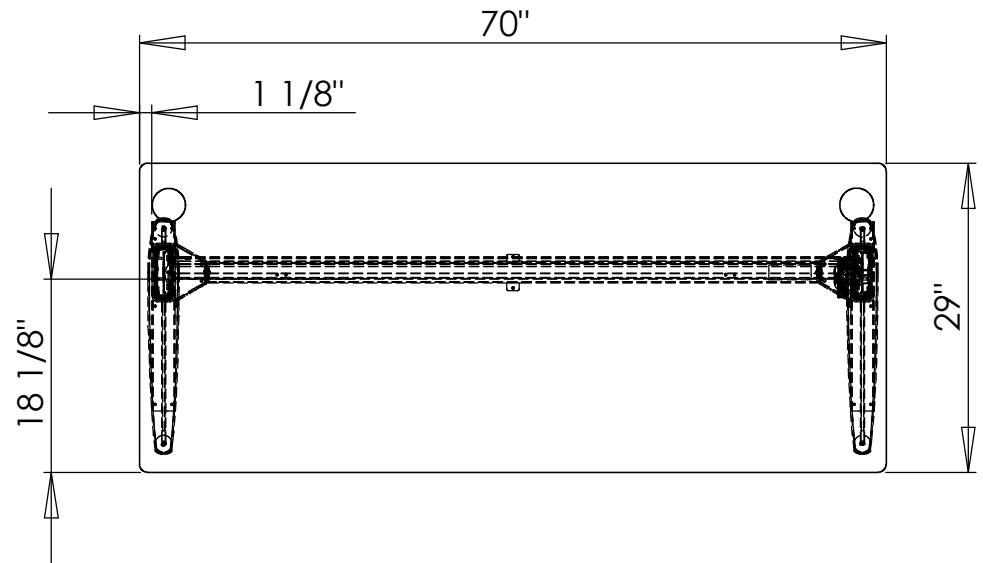
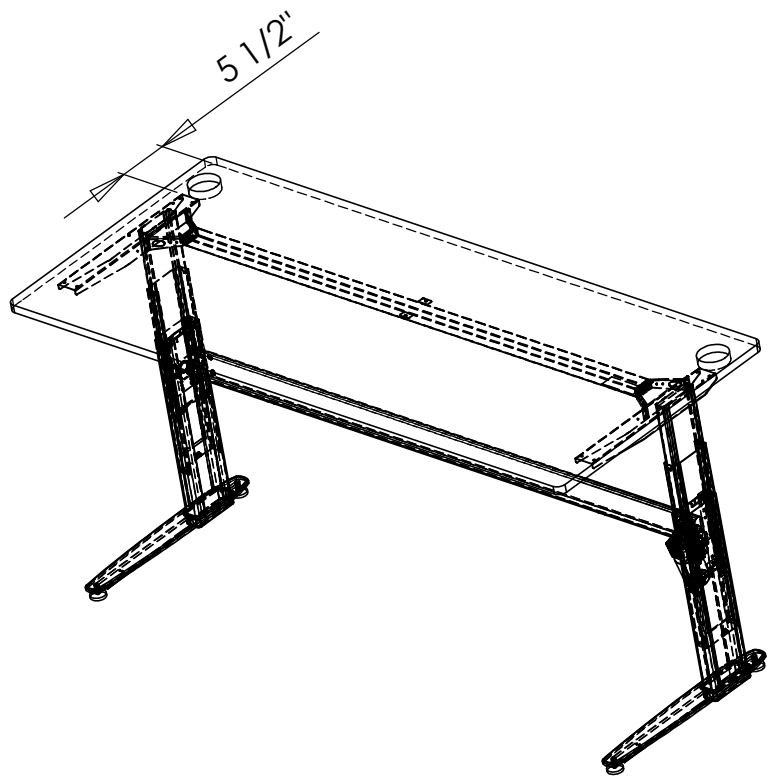
DO NOT SCALE DRAWING	SHEET 11 OF 15			<b>ConSet A/S</b> Staalvej 14-16 DK-6900 Skjern Denmark
UNLESS OTHERWISE SPECIFIED: DIMENSIONS ARE IN MILLIMETERS TOLERANCES: LINEAR: According to ANGULAR: DIN 7168-m	DRAWN	NAME jo	DATE 05-08-2014	TITLE:  Top mounting, 501-27 152_66-30S
	CHECKED			
<b>PROPRIETARY AND CONFIDENTIAL</b> THE INFORMATION CONTAINED IN THIS DRAWING IS THE SOLE PROPERTY OF CONSET A/S. ANY REPRODUCTION IN PART OR AS A WHOLE WITHOUT THE WRITTEN PERMISSION OF CONSET A/S IS PROHIBITED.	Processes:			DWG NO.  121700
	WEIGHT:			REVISION  1

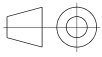


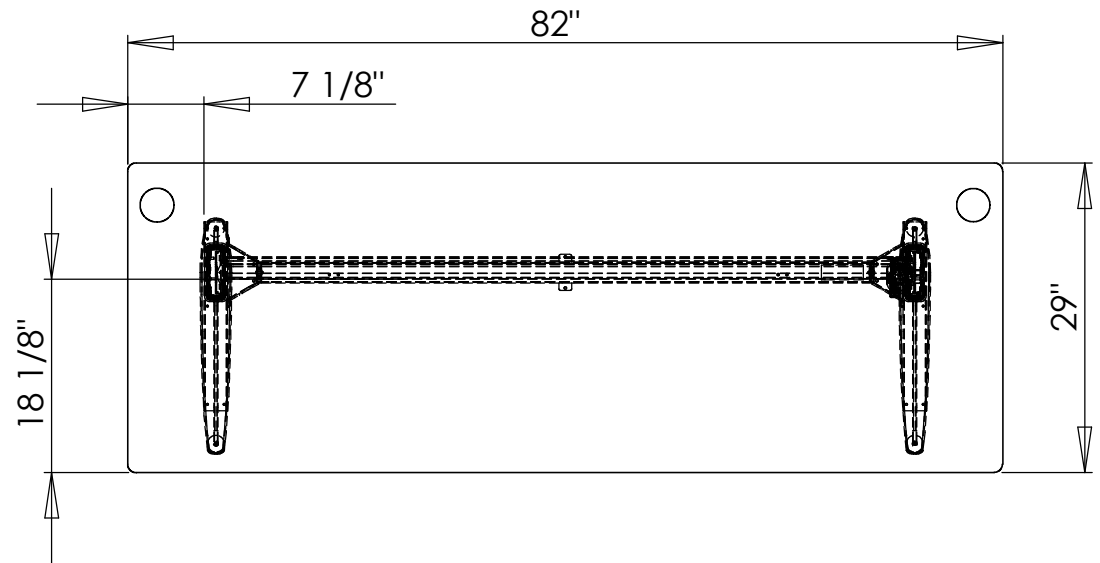
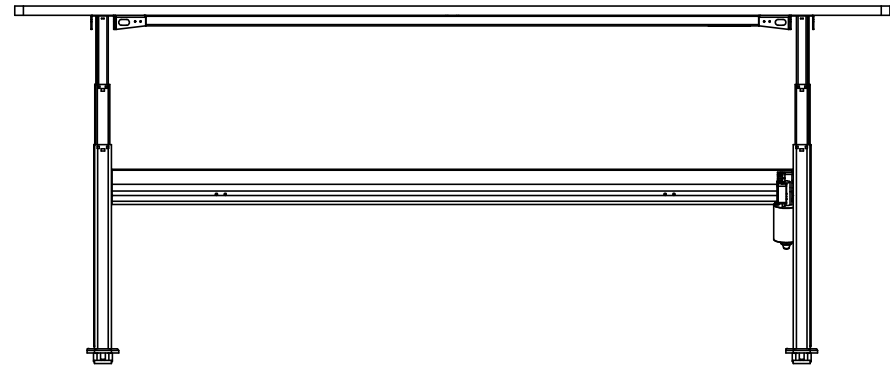
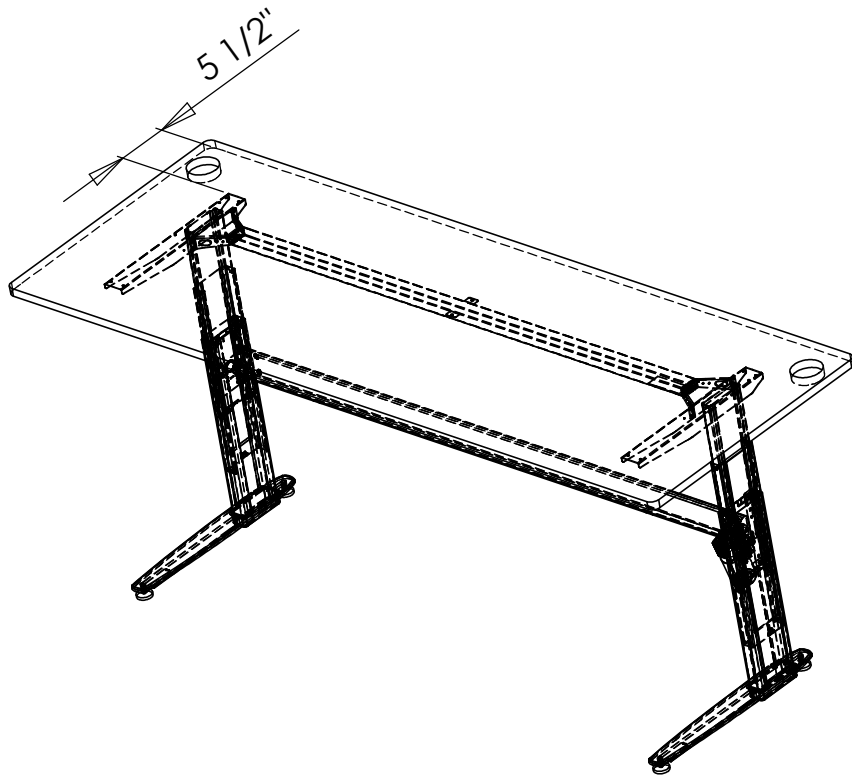
DO NOT SCALE DRAWING	SHEET 12 OF 15			<b>ConSet A/S</b> Staalvej 14-16 DK-6900 Skjern Denmark
UNLESS OTHERWISE SPECIFIED: DIMENSIONS ARE IN MILLIMETERS TOLERANCES: LINEAR: According to ANGULAR: DIN 7168-m	DRAWN	NAME jo	DATE 05-08-2014	TITLE:  Top mounting, 501-27 152_72-30S
	CHECKED			
<b>PROPRIETARY AND CONFIDENTIAL</b> THE INFORMATION CONTAINED IN THIS DRAWING IS THE SOLE PROPERTY OF CONSET A/S. ANY REPRODUCTION IN PART OR AS A WHOLE WITHOUT THE WRITTEN PERMISSION OF CONSET A/S IS PROHIBITED.	Processes:			DWG NO.  121700
	WEIGHT:			REVISION  1




DO NOT SCALE DRAWING	SHEET 13 OF 15			<b>ConSet A/S</b> Staalvej 14-16 DK-6900 Skjern Denmark
UNLESS OTHERWISE SPECIFIED: DIMENSIONS ARE IN MILLIMETERS TOLERANCES: LINEAR: According to ANGULAR: DIN 7168-m	DRAWN	NAME jo	DATE 05-08-2014	TITLE:  Top mounting, 501-27 172_72-24S
	CHECKED			
<b>PROPRIETARY AND CONFIDENTIAL</b> THE INFORMATION CONTAINED IN THIS DRAWING IS THE SOLE PROPERTY OF CONSET A/S. ANY REPRODUCTION IN PART OR AS A WHOLE WITHOUT THE WRITTEN PERMISSION OF CONSET A/S IS PROHIBITED.	Processes:			DWG NO.  121700
	WEIGHT:			REVISION  1



DO NOT SCALE DRAWING	SHEET 14 OF 15			<b>ConSet A/S</b> Staalvej 14-16 DK-6900 Skjern Denmark
UNLESS OTHERWISE SPECIFIED: DIMENSIONS ARE IN MILLIMETERS TOLERANCES: LINEAR: According to ANGULAR: DIN 7168-m	DRAWN	NAME jo	DATE 05-08-2014	TITLE:  Top mounting, 501-27 172_72-30S
	CHECKED			DWG NO. <b>121700</b>
<b>PROPRIETARY AND CONFIDENTIAL</b> THE INFORMATION CONTAINED IN THIS DRAWING IS THE SOLE PROPERTY OF CONSET A/S. ANY REPRODUCTION IN PART OR AS A WHOLE WITHOUT THE WRITTEN PERMISSION OF CONSET A/S IS PROHIBITED.	Processes:			REVISION <b>1</b>
	WEIGHT:			



DO NOT SCALE DRAWING	SHEET 15 OF 15			<b>ConSet A/S</b> Staalvej 14-16 DK-6900 Skjern Denmark
UNLESS OTHERWISE SPECIFIED: DIMENSIONS ARE IN MILLIMETERS TOLERANCES: LINEAR: According to ANGULAR: DIN 7168-m		NAME	DATE	TITLE:
	DRAWN	jo	05-08-2014	Top mounting, 501-27 172_84-30S
<b>PROPRIETARY AND CONFIDENTIAL</b> THE INFORMATION CONTAINED IN THIS DRAWING IS THE SOLE PROPERTY OF CONSET A/S. ANY REPRODUCTION IN PART OR AS A WHOLE WITHOUT THE WRITTEN PERMISSION OF CONSET A/S IS PROHIBITED.	CHECKED			
	Processes:			121700
WEIGHT:				REVISION 1